

NOTES:

1. PACKAGED IN BAG.
2. USE AMPHENOL CRIMP TOOL #CTL-2.
3. CAPTIVATED CONTACT, .043 WIRE ENTRY.
4. 3 PC. (BODY, FERRULE, CONTACT).
5. MATERIALS OF CONSTRUCTION:

FERRULE(S):  
 COPPER ALLOY  
 NICKEL PLATED

CONTACT PIN:  
 BRASS  
 GOLD PLATED

RETAINER RING,  
 BODY, WASHER:  
 BRASS  
 NICKEL PLATED

INSULATOR:  
 DELRIN  
 NATURAL

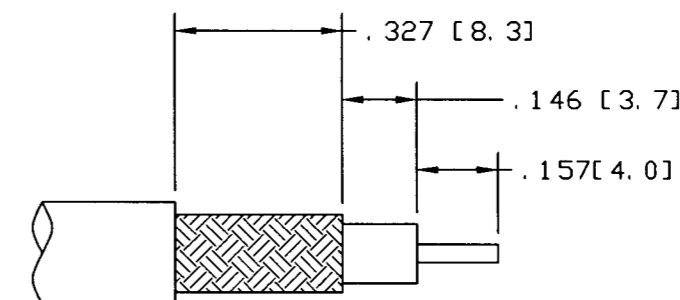
GASKET:  
 RUBBER  
 RED

SHELL:  
 ZINC DIECAST  
 NICKEL PLATED

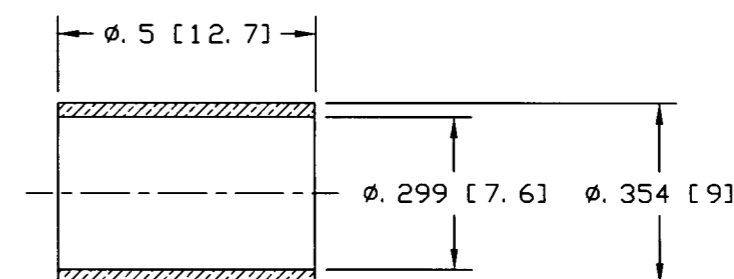
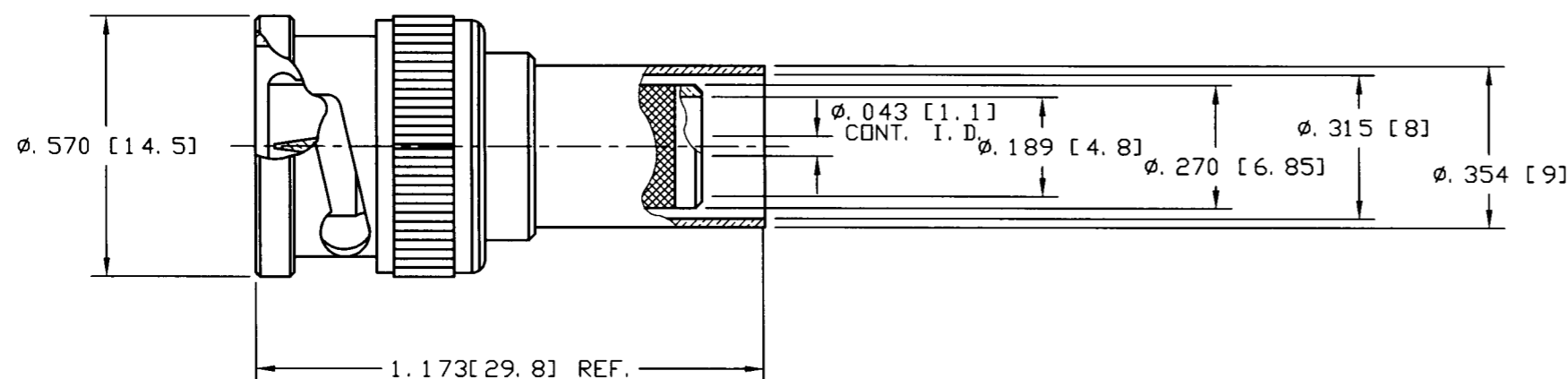
SPRING:  
 COPPER ALLOY  
 NICKEL PLATED

6. DO NOT SCALE THIS DRAWING.

| 31-71000-RFX      |     | REVISIONS                               |          |       |      |
|-------------------|-----|---|----------|-------|------|
| DRAWING NO.       | REV | DESCRIPTION                             | DATE     | ECO   | APPR |
| THIRD ANGLE PROJ. | A   | RELEASE TO MFG.                         |          |       |      |
|                   | C   | REDRAWN, WAS 'C' SIZE; UPDATED DRAWING. |          | 42543 | TV/  |
|                   | D   | SEE SHEET 1                             | 11/11/98 | 42712 | CPM/ |
|                   | E   | SEE SHEET 1                             | 12/17/98 | 42779 | CPM/ |



RECOMMENDED CABLE STRIPPING DIM'S



CUSTOMER OUTLINE DRAWING

ENGLISH (METRIC)

|   |   |  |                 |  |               |  |                      |
|---|---|--|-----------------|--|---------------|--|----------------------|
| UNLESS OTHERWISE SPECIFIED, DIMENSIONS ARE IN INCHES AND TOLERANCES ARE:<br>2 PLACE DECIMAL ±.015 (0,381 mm)<br>3 PLACE DECIMAL ±.005 (0,127 mm)<br>ANGLES ± 1°   | MATERIAL  | DRAWN<br>T. VERHOEVEN                            | DATE<br>6/17/98 | TITLE<br>BNC CRIMP CRIMP PLUG<br>FOR BELDEN 9248,<br>RG6 CABLE, 75 OHM |               | <b>Amphenol</b><br>Amphenol Corporation<br>RF/Microwave Operations<br>Danbury, Conn. U.S.A. 06810<br>SCALE: 2:1 SHEET 2 OF 2 |                      |
|   | REFERENCE<br>EAR 962370<br>EAR 967010-0<br>EAR 967127-0 | ENGINEER<br>T. AUBIN                             | DATE            |  |               |  | APPROVED<br>T. AUBIN |
| NOTICE - These drawings, specifications, or other data (1) are, and remain the property of Amphenol Corp. (2) must be returned upon request; and (3) are confidential and not to be disclosed to any person other than those to whom they are given by Amphenol Corp. The furnishing of these drawings, specifications, or other data by Amphenol Corp., or to any other person to anyone for any purpose is not to be regarded by implication or otherwise in any manner licensing, granting rights or permitting such holder or any other person to manufacture, use or sell any product, process or design, patented or otherwise, that may in any way be related to or disclosed by said drawings, specifications, or other data. |   | CAD FILE<br>H:\DEPT611\BNC\031\ASSY\71000\RFXSH2 |                 | CODE ID<br>74868   | DWG SIZE<br>B | DRAWING NO.<br>31-71000-RFX  | ISSUE<br>E           |